



ADVANCED FLUID  
MANAGEMENT SOLUTIONS

**RAASM S.p.a.**

Via Marangoni 33, 36022  
S. Zeno di Cassola (VI) Italy  
Tel. +39 0424 570891  
info@raasm.com

## P/N 3C3/5066VEAA

Diaphragm pump in aluminum with cataphoresis treatment series AAB-2 with multi ported inlet/outlet, membranes in EPDM, balls and seats in acetal

### AREAS OF USE

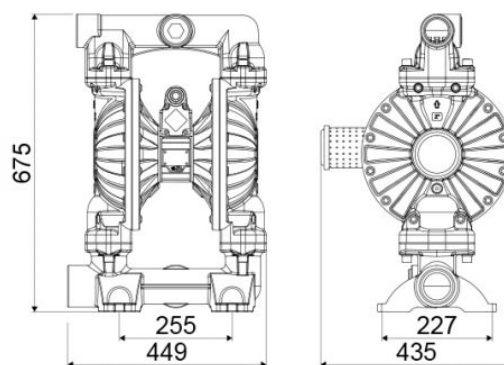
Aeronautics, Agriculture, Automotive, Building and road construction, Chemical industry, Manufacturing industry, Mining industry, Lube trucks and transports, Shipping and offshore, Railway transport

### FEATURES

|                                 |                                      |
|---------------------------------|--------------------------------------|
| Flow rate                       | 610 l/min                            |
| Ratio                           | 1:1                                  |
| Max pressure                    | 8 bar                                |
| Max cycles for minute           | 147 cpm                              |
| Delivery for cycles             | 4,150 l                              |
| Max suction lift                | dry column 5 m -<br>wet column 7,5 m |
| Max size pumpable solids        | 6,5 mm                               |
| Max working temperature         | 100 °C                               |
| Noise level                     | 82 dB                                |
| Max air consumption             | 4,00 m <sup>3</sup> /min             |
| Air working pressure            | 2 ÷ 6 bar                            |
| Air inlet connection            | G 3/4" (f)                           |
| Air outlet connection (muffler) | G 1" (f)                             |
| Fluid inlet connection          | G 2.1/2" (f)                         |
| Fluid outlet connection         | G 2" (f)                             |
| Balls for inlet                 | ball valve                           |
| Membranes                       | EPDM                                 |



### OVERALL DIMENSIONS (mm)



|              |                             |
|--------------|-----------------------------|
| Balls        | acetal                      |
| Seats        | acetal                      |
| Packing      | No. 1 - 0,12 m <sup>3</sup> |
| Gross weight | 45 kg                       |