



P/N 3C3/2666VSSS

Diaphragm pump in aluminum with cataphoresis treatment series AAB-1-9 with membranes, balls and seats in Santoprene™

AREAS OF USE

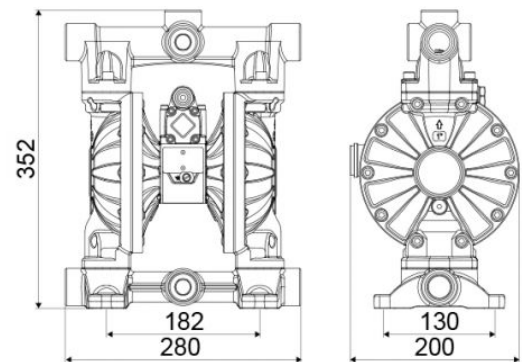
Aeronautics, Agriculture, Automotive, Building and road construction, Chemical industry, Manufacturing industry, Mining industry, Lube trucks and transports, Shipping and offshore, Railway transport

FEATURES

| | |
|---------------------------------|-----------------------------------|
| Flow rate | 170 l/min |
| Ratio | 1:1 |
| Max pressure | 8 bar |
| Max cycles for minute | 300 cpm |
| Delivery for cycles | 0,590 l |
| Max suction lift | dry column 5 m - wet column 7,5 m |
| Max size pumpable solids | 3 mm |
| Max working temperature | 100 °C |
| Noise level | 75 dB |
| Max air consumption | 1,40 m ³ /min |
| Air working pressure | 2 ÷ 6 bar |
| Air inlet connection | G 3/8" (f) |
| Air outlet connection (muffler) | G 1/2" (f) |
| Fluid inlet connection | 4 x G 1" (f) |
| Fluid outlet connection | 5 x G 1" (f) |
| Balls for inlet | ball valve |
| Membranes | Santoprene™ |



OVERALL DIMENSIONS (mm)



| | |
|--------------|-----------------------------|
| Balls | Santoprene™ |
| Seats | Santoprene™ |
| Packing | No. 1 - 0,03 m ³ |
| Gross weight | 13 kg |