



ADVANCED FLUID
MANAGEMENT SOLUTIONS

RAASM S.p.a.

Via Marangoni 33, 36022
S. Zeno di Cassola (VI) Italy
Tel. +39 0424 570891
info@raasm.com

P/N 2B3/16117TT52



Diaphragm pump in aluminum and polypropylene series APPB-12 with multi ported inlet/outlet, membranes and balls in Teflon®, seats in AISI 316 stainless steel and polypropylene and ball valves with spring

AREAS OF USE

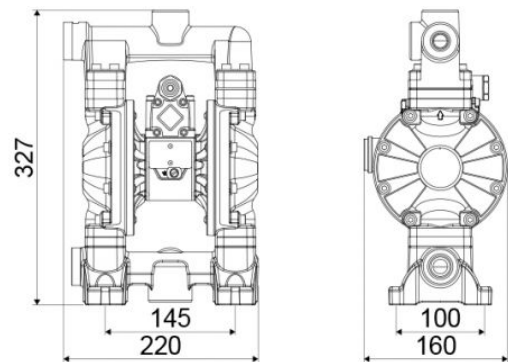
Aeronautics, Agriculture, Automotive, Building and road construction, Chemical industry, Manufacturing industry, Lube trucks and transports, Shipping and offshore, Railway transport

FEATURES

| | |
|-----------------------------------|--|
| Flow rate | 50 l/min |
| Ratio | 1:1 |
| Compatible fluids | antifreeze and windshield washing liquid |
| Motor and inside flanges material | aluminum |
| Wetted parts | polypropylene |
| Ball valve material | Teflon® |
| Air inlet connection | G 3/8" (f) |
| Fluid inlet-outlet connection | G 3/4" (f) x G 1/2" (f) |
| Air working pressure | 2 ÷ 6 bar |
| Max supply pressure | 8 bar |
| Average air consumption | 400 l/min |
| Noise level | 75 dB |
| Fluid temperature | -10 ÷ +65 °C |
| Max solids diameter | ø 1,5 mm |



OVERALL DIMENSIONS (mm)



| | |
|---|------------------------------------|
| Suction-delivery ball valve with spring | cylindrical ball valve with spring |
| Packing | No. 1 - 0,015 m3 |
| Weight | 7,5 kg |