



ADVANCED FLUID
MANAGEMENT SOLUTIONS

RAASM S.p.a.

Via Marangoni 33, 36022
S. Zeno di Cassola (VI) Italy
Tel. +39 0424 570891
info@raasm.com

P/N 2210TLF

Cable reel s. 290, with transformer 230 V. Number of conductors 2, cable type 2 x 1 - H05 RN-F, cable length 14 + 1 (m). Equipped with led light s. L1224 and supply voltage from 12 V to 24 V AC/DC. Rewinding clutch as standard.

AREAS OF USE

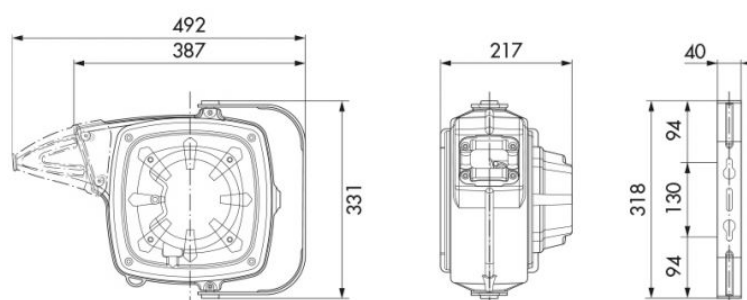
Aeronautics, Agriculture, Automotive, Cleaning, Building and road construction, Chemical industry, Manufacturing industry, Mining industry, Lube trucks and transports, Shipping and offshore, Railway transport

FEATURES

Information	with transformer 230 V
Protection degree of electrical part	IP44
Environment temperature	-5 ÷ +40 °C
Number of conductors	2
Cable type	2x1 - H05 RN-F
Cable length	14 + 1 m
Cable inlet	1,2 m
Inlet voltage	230 V AC - 50 Hz
Lamp power supply voltage	12 ÷ 24 V AC/DC
Lamp connection	-
Max power	3,6 W
Lamp protection degree	IP65
Light bulb supplied	p/n 728005
Rewinding clutch	yes
Lamp	p/n L1224



OVERALL DIMENSIONS (mm)



Packing	No. 1 - 0,043 m3
---------	------------------

Gross weight	6,8 ÷ 8,8 kg
--------------	--------------